

INDAUX products

Junior-6 Sliding doors systems

The Junior-6 is the right product for those installations where any size is possible, whether contract or renovation. Its design has been carefully studied to provide an easy installation of the wardrobe and adaptation without any special fitting. This should be the reason for choosing a top-quality wardrobe with multiple options, finishes, models, or runner systems. The Junior-6 INDAMATIC version represents the ultimate in wardrobe quality, without a doubt, it surpasses other alternatives on the market and could only come from INDAUX's innovative R&D division. Available for **16mm Plywood sliding doors** or combined with **10mm Plywood and 5mm Glass**.

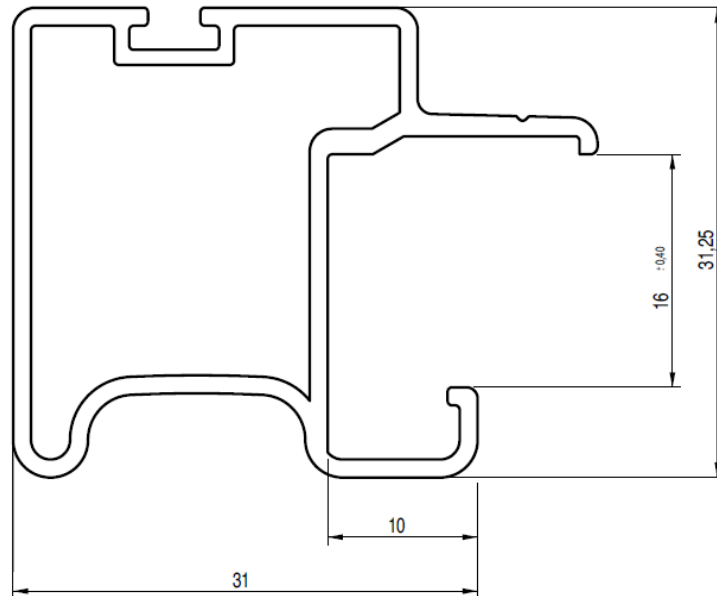
Bag of components for 2 doors:

- Upper & lower rollers for 2 panels of door
- Upper & lower tracks 2100mm each
- Aluminium profile 2600mm 4 pcs
- Soft-closed Mechanism
- Mohair

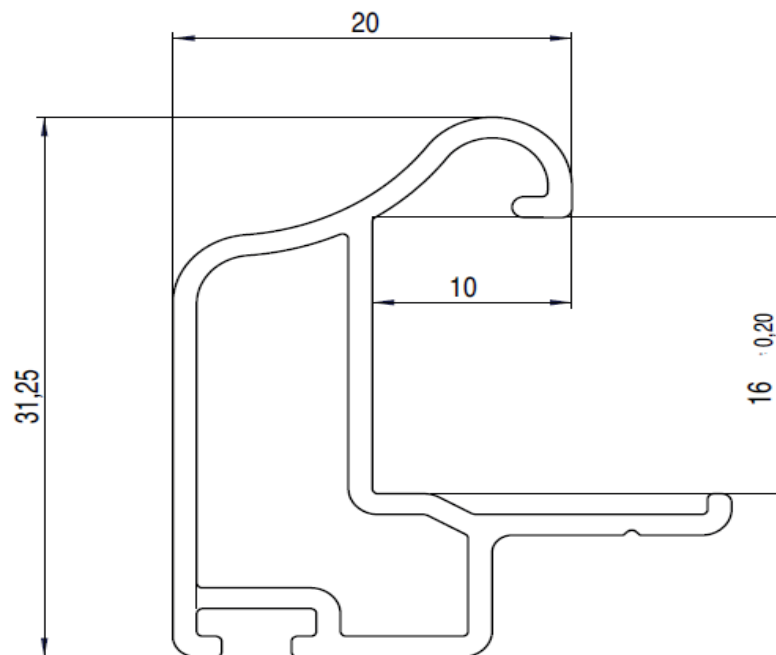
一套 Junior 6 包含有两片门的配件:

- 上轮 4 粒 & 下轮 4 粒
- 上路轨道 & 下路轨道 2100mm
- 铝框拉手 2600mm 4 条
- 慢关装置
- 毛条

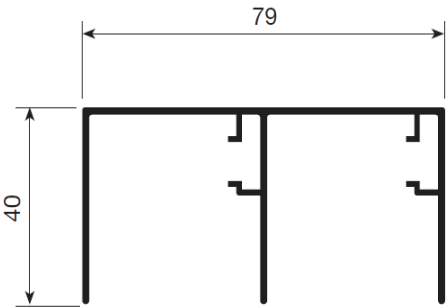
Profile Type A: Available colours: Silver, Matt Black, Champagne Gold



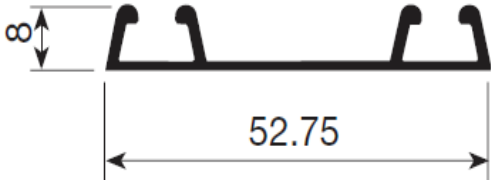
Profile Type B: Available colours: Silver, Matt Black, Champagne Gold



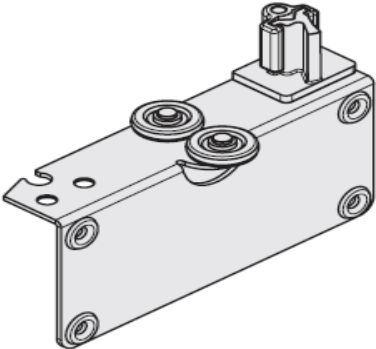
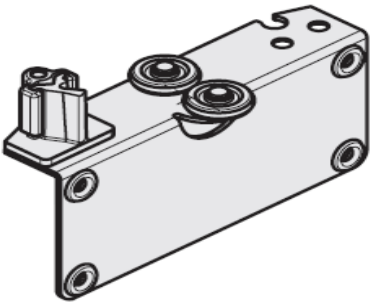
Upper tracks:



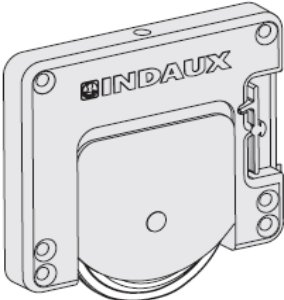
Lower tracks:



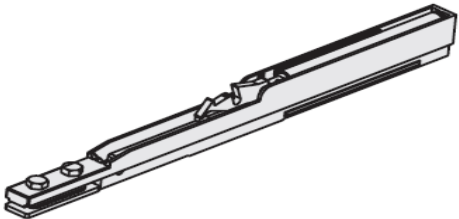
Upper rollers:



Lower rollers:

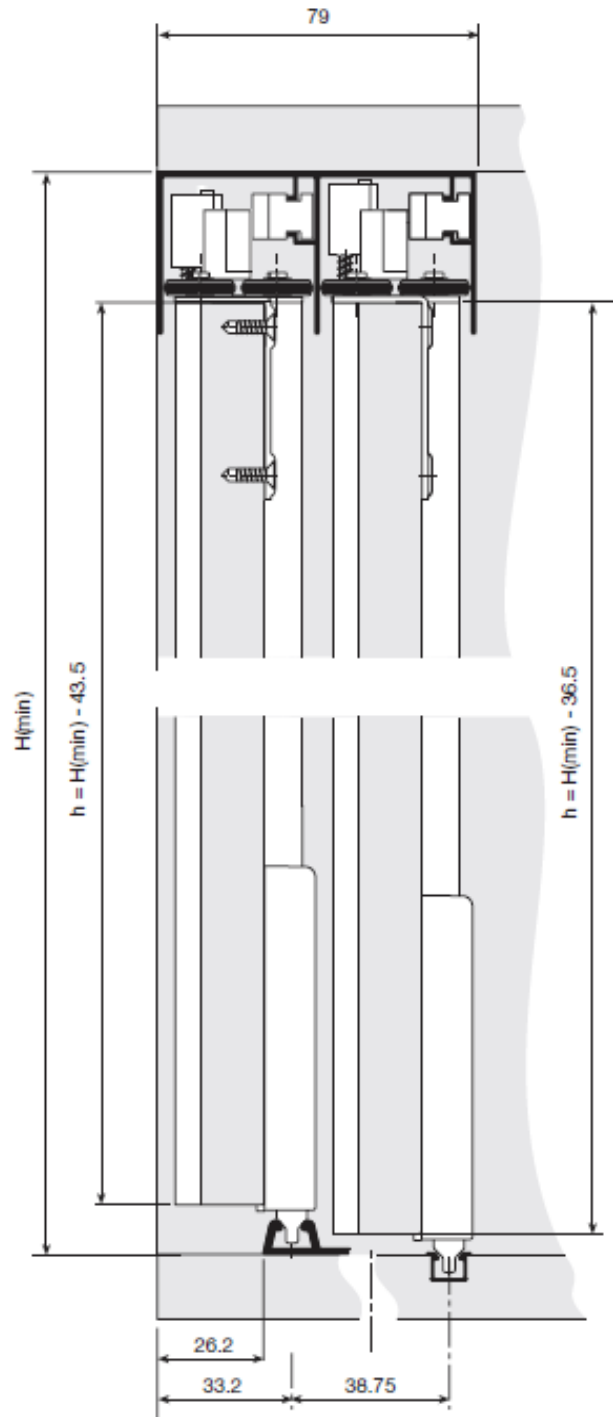


Soft-Closed:



INDAmatic 20-50 Kg.

INDA~~m~~atic



INDAUX JUNIOR – 6

INDAUX products

Sistema-4 Overhung door systems

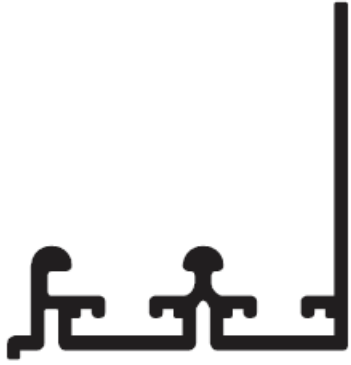
The Sistema-4 provides functionality, quality and design to the cupboard, in addition to cushioned closing system thanks to INDAmatic. A very simplified assembly available in wide range of finishes.

Bag of components for 2 doors:

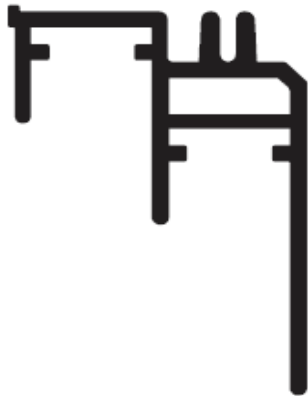
- Upper & lower tracks 3000mm each
- 2 upper & lower rollers for exterior door
- 2 upper & lower rollers for interior door
- 2 upper soft-closing devices
- 2 lower brakes
- All necessary screws for one door

一套 Sistema-4 包含有一片外门和一片内门的配件:

- 上路轨道 & 下路轨道 3000mm
- 外门用 2 个上轮和 2 个下轮
- 内门用 2 个上轮和 2 个下轮
- 2 个上路用的慢关装置
- 2 个下路用的减速器
- 安装所需要的的螺丝钉

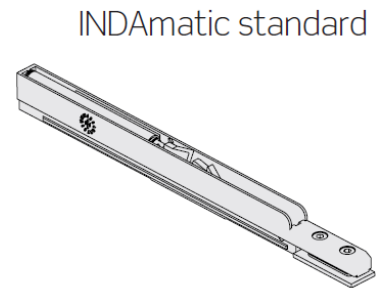
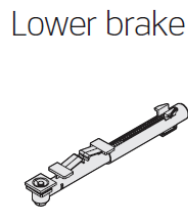
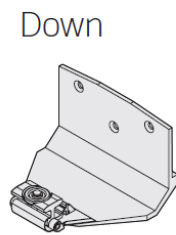
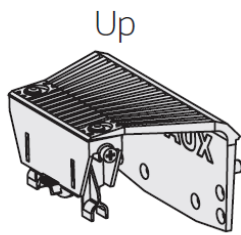


Heavy duty upper track

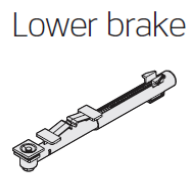
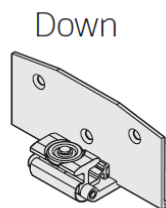
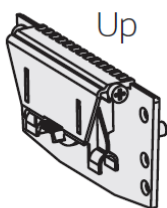


Lower track

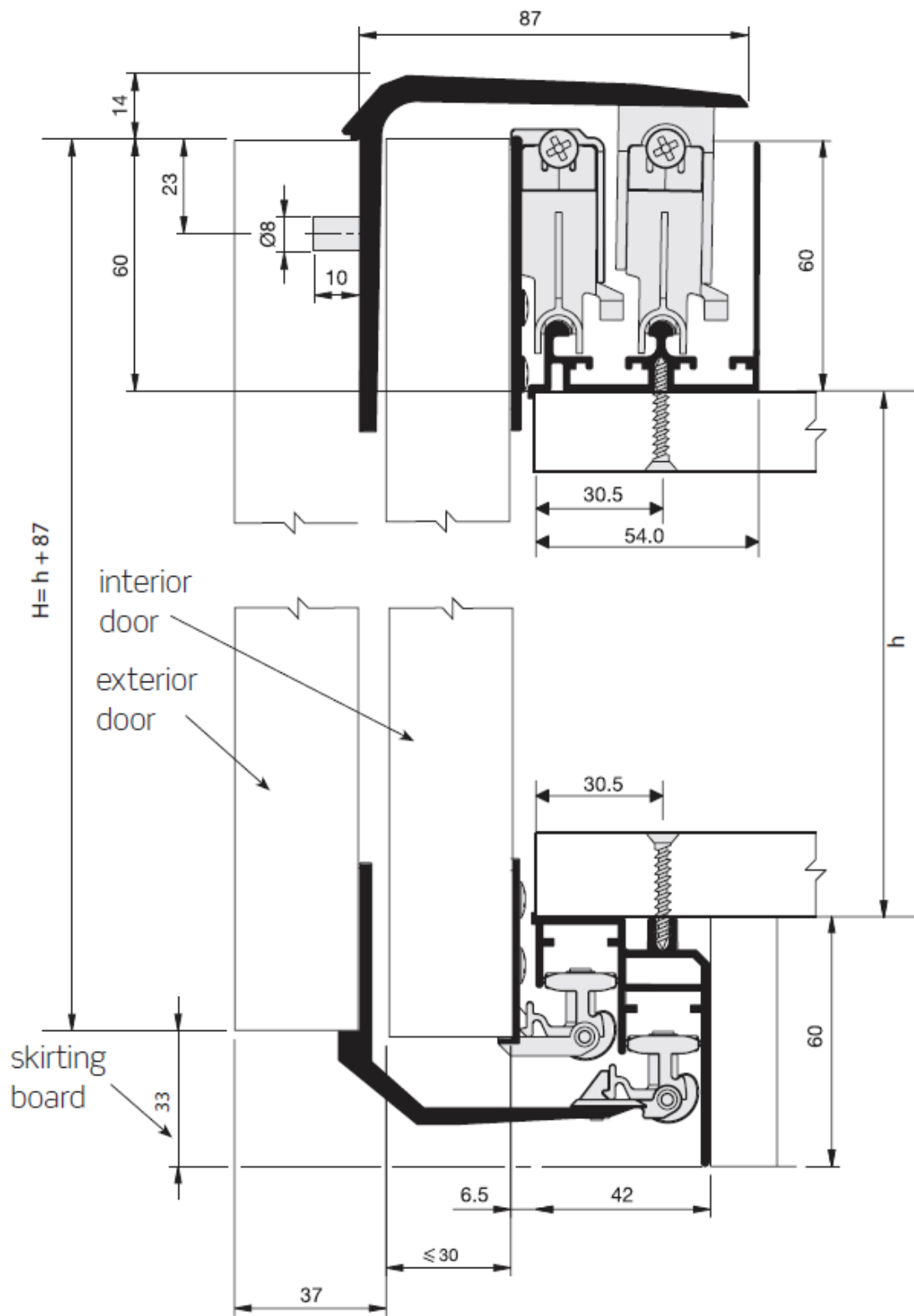
Exterior door set



Interior door set



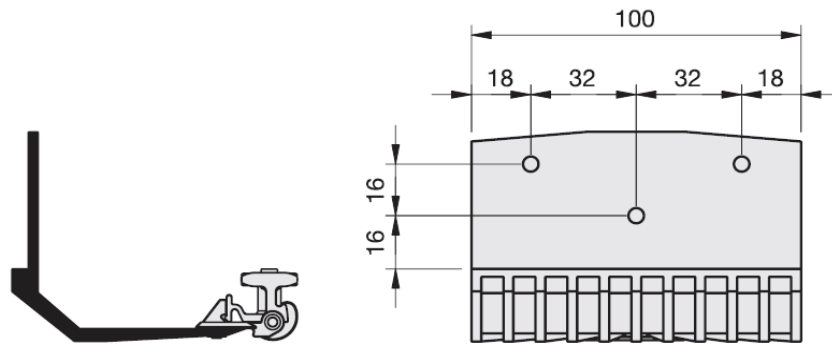
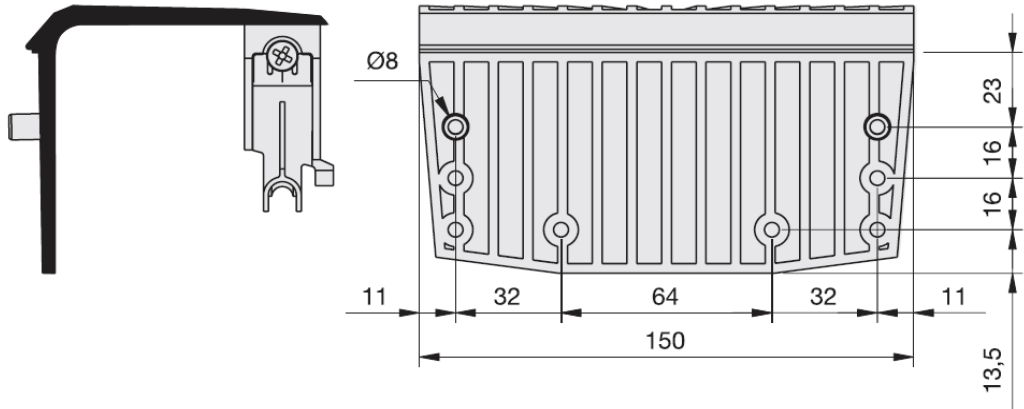
Technical data



INDAUX Sistema-4

Drilling plan

Exterior door



Interior door

